

# Formal Verification of Deadlock Avoidance Mechanisms in Networks-on-Chip

NWO free competition 612.064.811

Radboud University Nijmegen



Freek Verbeek, Radboud Universiteit Nijmegen, [f.verbeek@cs.ru.nl](mailto:f.verbeek@cs.ru.nl)

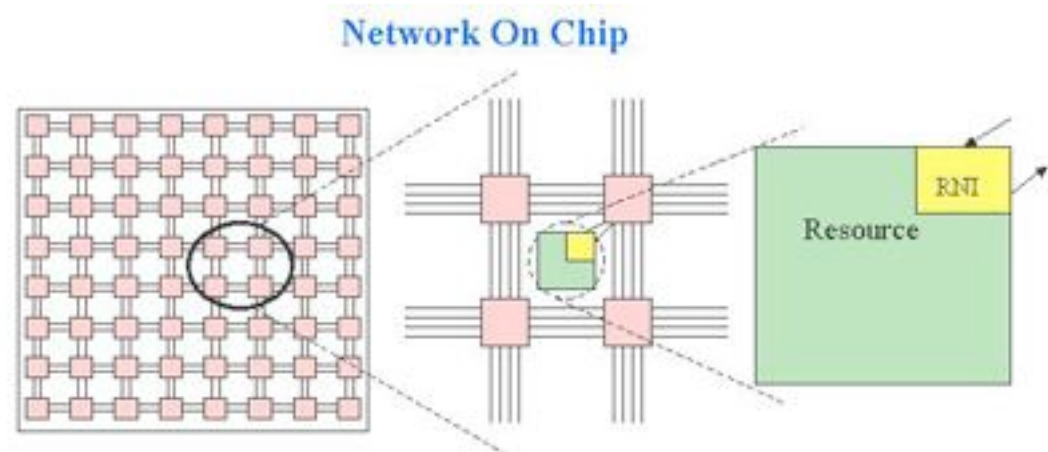
Julien Schmaltz, RUN/ Open Universiteit Nederland, [Julien.Schmaltz@ou.nl](mailto:Julien.Schmaltz@ou.nl)



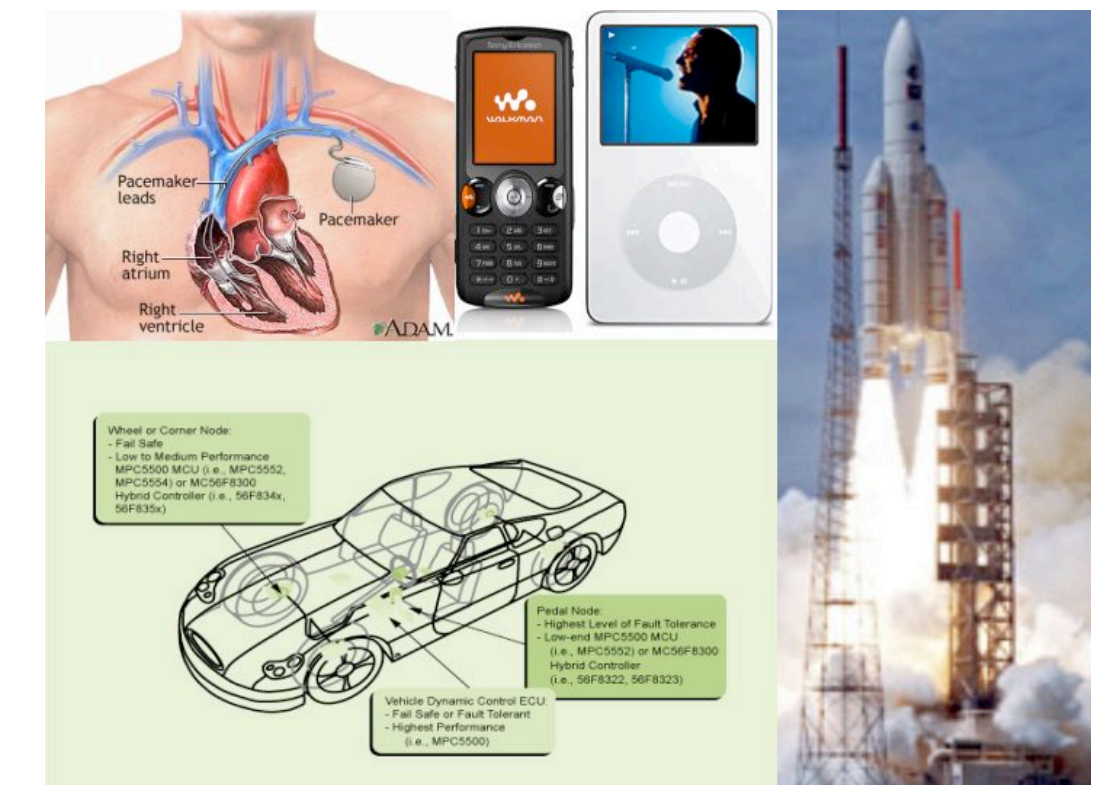
www.ou.nl

Nederlandse Organisatie voor Wetenschappelijk Onderzoek

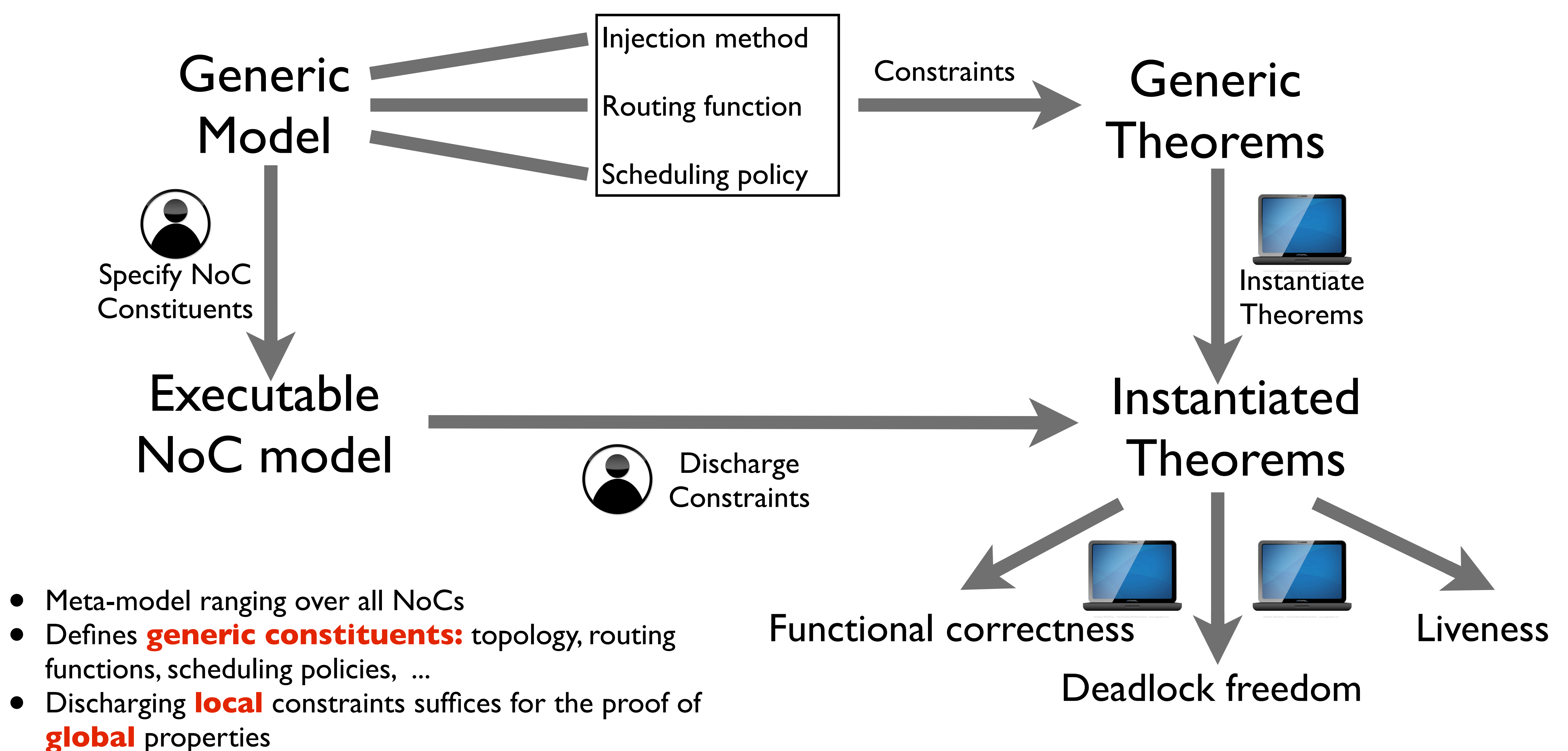
## Systems and Networks-on-Chip



- Ubiquitous, safety critical
- Platform-based design: SoC from pre-designed parameterized IPs
- Challenges: (1) abstraction and (2) communications



## The GeNoC Verification method



## Implementation

- ACL2 logic using encapsulation
- Instantiated constraints automatically generated via functional instantiation

## Results

- Liveness: Generic Termination Measure
- Deadlock: Formalization of Dally & seitz' condition for deadlock-free routing

## Applications

- Deterministic routing algorithms
- Packet and wormhole switching techniques
- 2D Mesh HERMES NoC, XY Routing

## Future Work

- Adaptive routing: Formalizing Duato's theory
- Generic NoC injection methods
- GeNoC layered stack from specification level to implementation level

## References

- J. Schmaltz and D. Borrione "A functional formalization of on-chip communications" Form. Asp. Comp.20(3): 241-258 May 2008 Springer
- W.J. Dally and C.L. Seitz. Deadlock-free message routing in multiprocessor interconnection networks. IEEE Transactions on Computers, (36), 1987
- F. Moraes et al. "HERMES: An infrastructure for low-area overhead packet-switching network-on-chip" The VLSI Journal 38(1) 2004